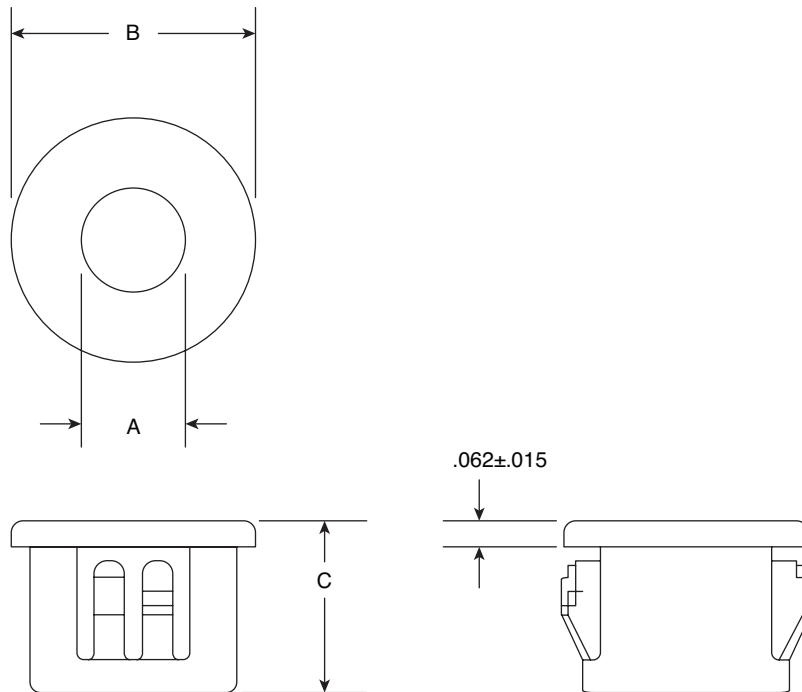


STANDARD INSULATING BUSHINGS

561-MP2502, 561-MP3753, 561-MP3754, 561-MP4374, 561-MP4375, 561-MP5004, 561-MP5005, 561-MP5006

Date Last Revised: 7/1/13

DIMENSIONS: in



Standard bushings are designed with multiple locks to positively snap in panels ranging from 1/32" to 1/8" thickness. Molded in heat stabilized Nylon UL94V2 black.

| Part Number | Description | Inside Dia. A | Head Dia. B | Thickness C | Hole Dia. | Max. Thickness |
|-------------|-------------|---------------|--------------------|--------------------|-----------|----------------|
| 561-MP2502 | MP 2502 | .125 (+.015) | .312 (\pm .015) | .312 (\pm .015) | .250 | .062 |
| 561-MP3753 | MP 3753 | .187 (+.015) | .468 (\pm .015) | .406 (\pm .015) | .375 | .125 |
| 561-MP3754 | MP 3754 | .250 (+.015) | .468 (\pm .015) | .406 (\pm .015) | .375 | .125 |
| 561-MP4374 | MP 4374 | .250 (+.015) | .531 (\pm .015) | .406 (\pm .015) | .437 | .125 |
| 561-MP4375 | MP 4375 | .312 (+.015) | .531 (\pm .015) | .406 (\pm .015) | .437 | .125 |
| 561-MP5004 | MP 5004 | .250 (+.015) | .578 (\pm .015) | .406 (\pm .015) | .500 | .125 |
| 561-MP5005 | MP 5005 | .312 (+.015) | .578 (\pm .015) | .406 (\pm .015) | .500 | .125 |
| 561-MP5006 | MP 5006 | .375 (+.015) | .578 (\pm .015) | .406 (\pm .015) | .500 | .125 |

RoHS Compliant